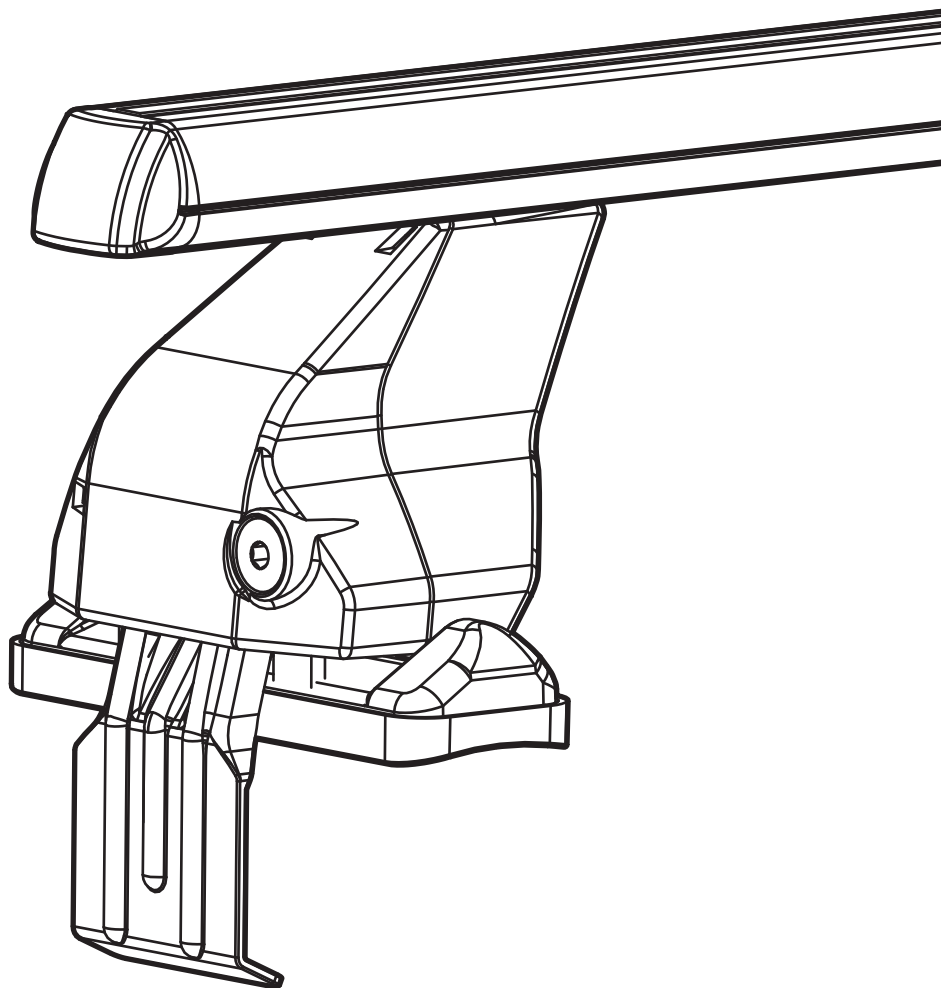


# MENABO

free time on the move



PART

A

## OMEGA ALU



### Consulta l'applicabilità aggiornata in 5 step:

1. Scansiona il QR code or visita il sito [www.menabocaraccessories.com](http://www.menabocaraccessories.com).
2. Nell'area *Supporto* clicca su *Istruzioni*.
3. Inserisci il *numero kit* stampato sull'etichetta della scatola (es. *kit01G*).
4. Seleziona il prodotto.
5. Scarica o visualizza la lista aggiornata.

### Check the updated application list in 5 steps:

1. Scan the QR code or visit the website [www.menabocaraccessories.com](http://www.menabocaraccessories.com).
2. Under *Support* click on *Instructions*.
3. Insert the *kit number* printed on the box label (ex. *kit01G*).
4. Select the product.
5. Download the latest application list.

IT Istruzioni di montaggio  
EN Fitting instructions  
DE Montageanleitung  
FR Instructions de montage  
ES Instrucciones de montaje  
BG инструкции за сглобяване  
CS Návod na montáž  
DA Monteringsvejledning  
EL Οδηγίες συναρμολόγησης

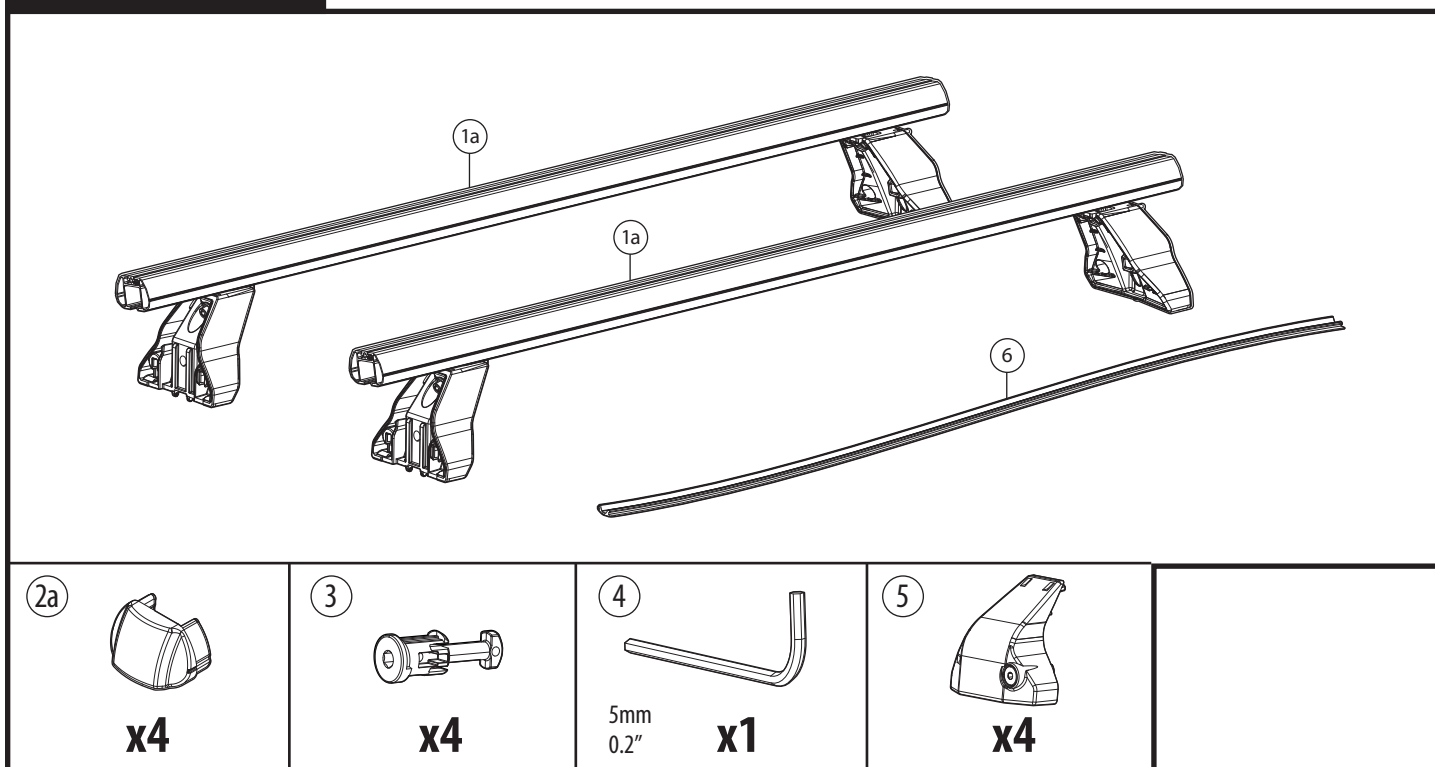
ET Paigaldusjuhend  
FI Asennusohje  
HR Uputa za sastavljanje  
HU A felszerelés módja  
LT Pritvirtinimo instrukcijos  
LV Stiprināšanas instrukcija  
NL Montagehandleiding  
NO Monteringsanvisning  
PL Instrukcja montażu

PT Instruções de Montagem  
RO Instrucțiuni de montare  
RU Инструкции по установке  
SK Návod na montáž  
SL Navodila za pritrjevanje  
SV Monteringsanvisning  
TK Uydurma talimat  
ZH 裝修指導  
AR كتيب التعليمات

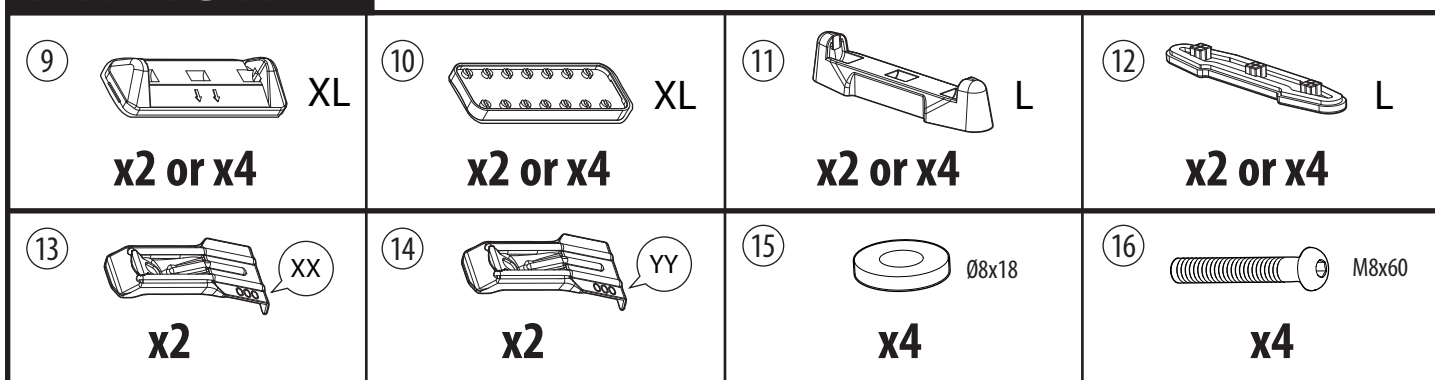


IT) Componenti (Inclusi) | EN) Components (Included) | FR) Composants (Comprises)  
 DE) Die Komponenten (im Lieferumfang enthalten) | ES) Componentes (Incluido)

## MAIN KIT

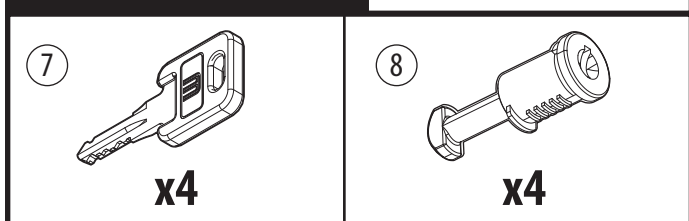


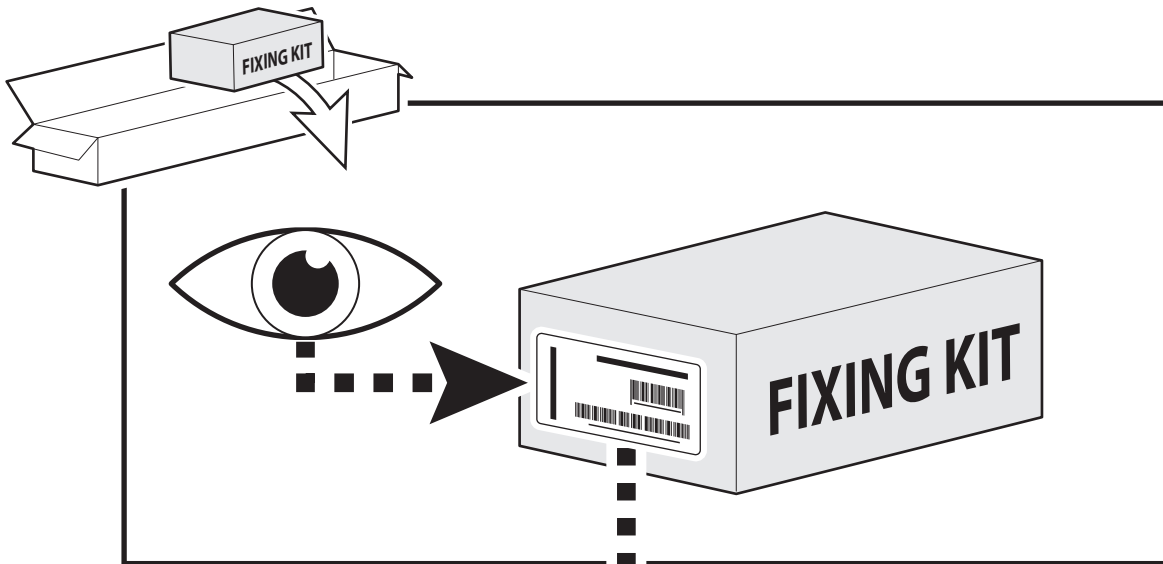
## FIXING KIT




## OPTIONAL


kit 000084800000






**FIX xxxFP**



 **MANUAL  
PART B**

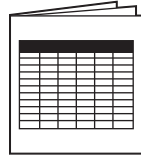
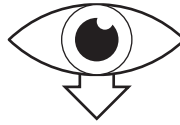
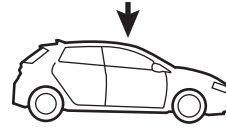
**KIT xxxG**



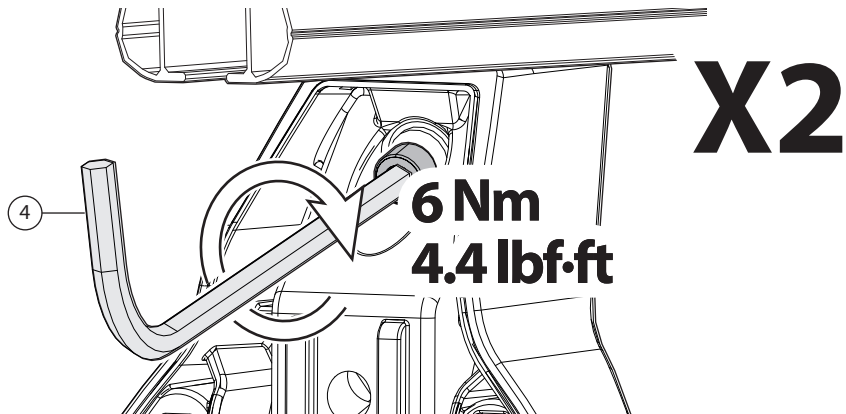
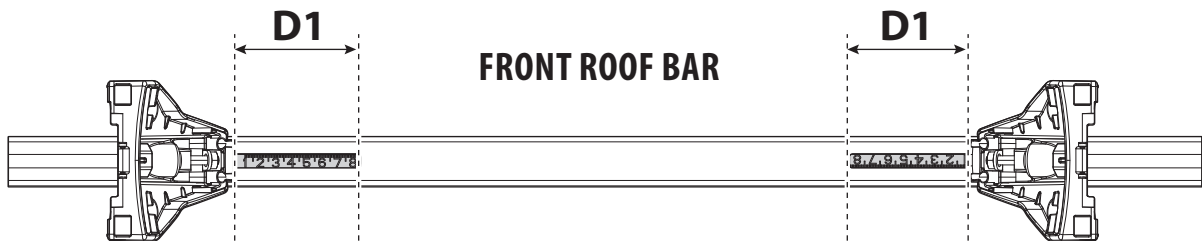
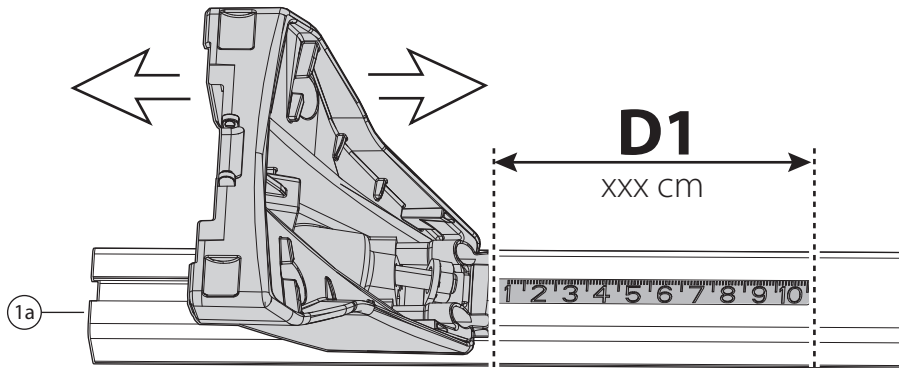
**① pag.4**

1

# FRONT ROOF BAR

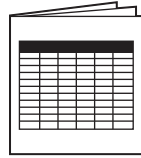
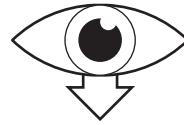
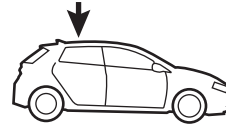


CAR MODEL	D1	D2
ABC	xxx cm	yyy cm

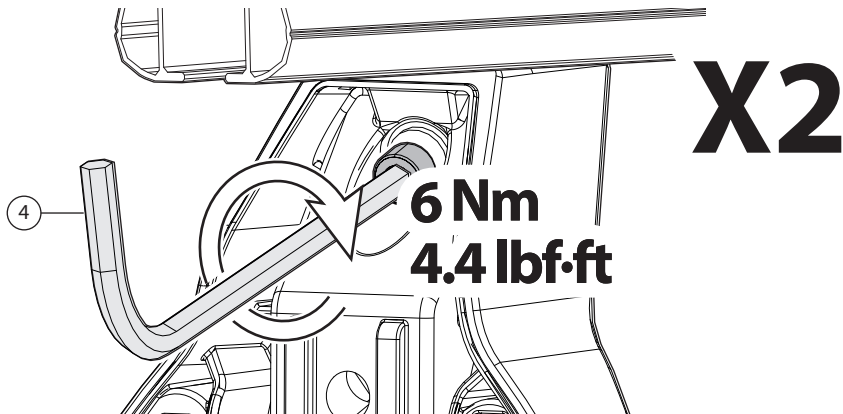
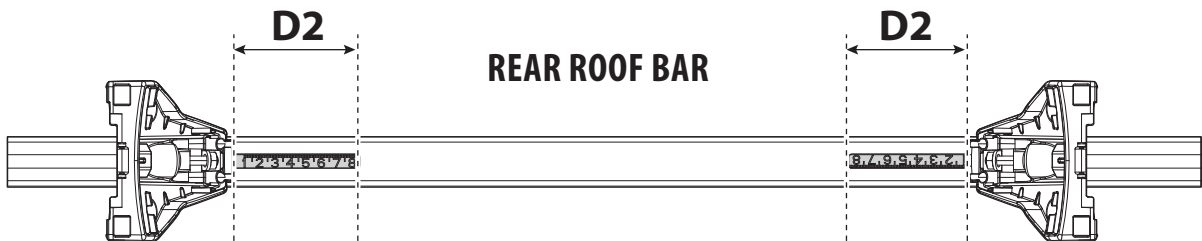
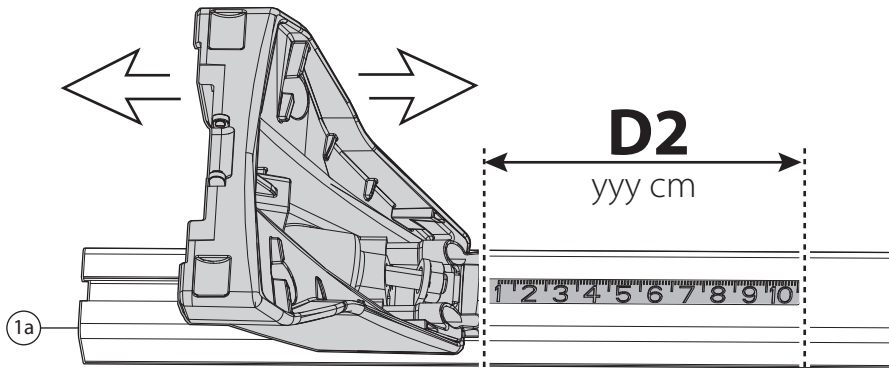




# REAR ROOF BAR

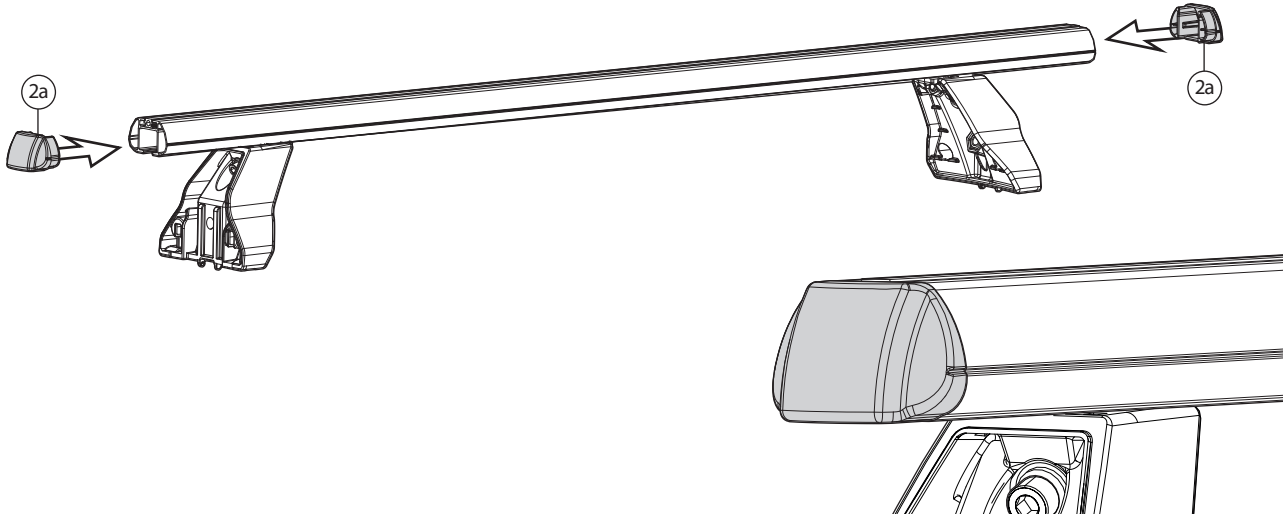


CAR MODEL	D1	D2
ABC	xxx cm	yyy cm




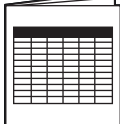
3

X2



4

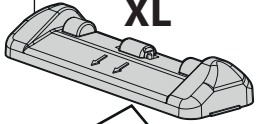
X4

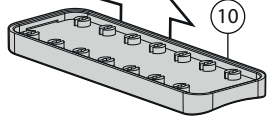
CAR MODEL	FRONT ROOF BAR	REAR ROOF BAR
	BASE F	BASE R
ABC	L/XL	L/XL

9 **XL**

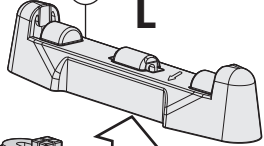


10

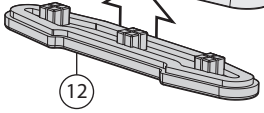


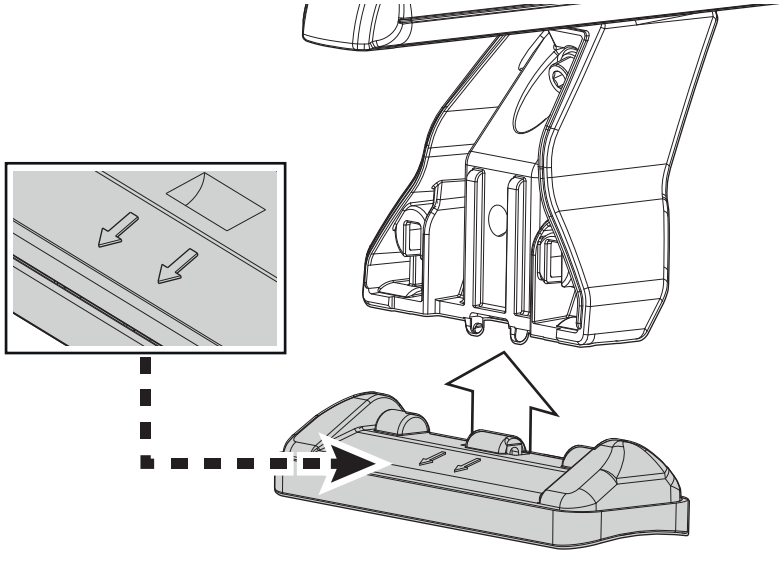
**OR**

11 **L**



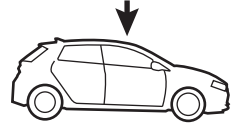
12



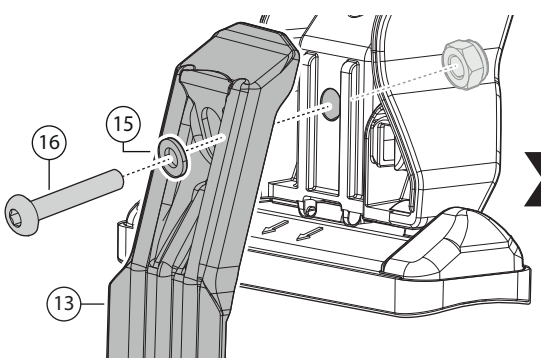
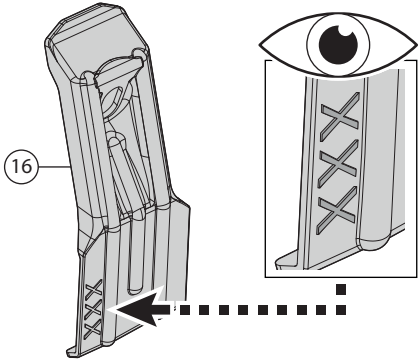


5

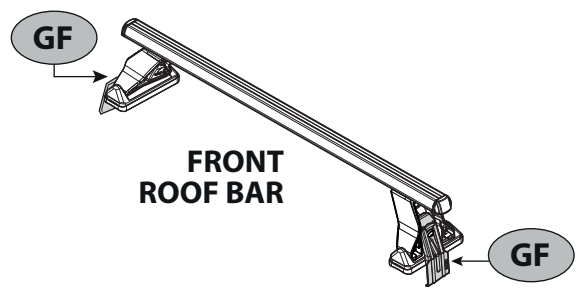
# FRONT ROOF BAR



CAR MODEL	GF	GR
ABC	XXX	YYY



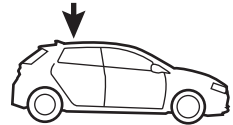
x2



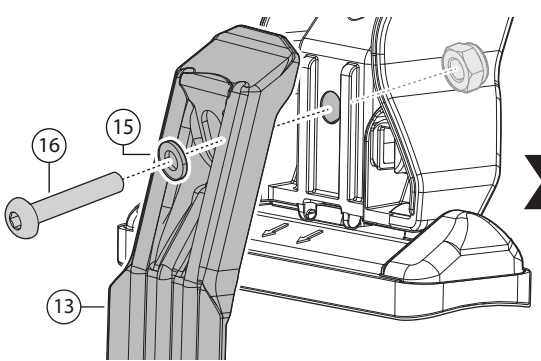
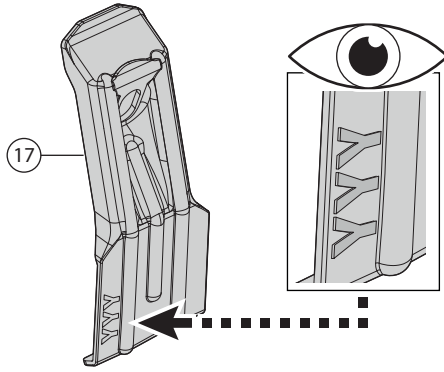
FRONT ROOF BAR

6

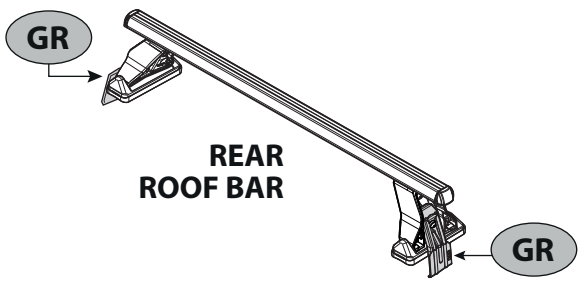
# REAR ROOF BAR



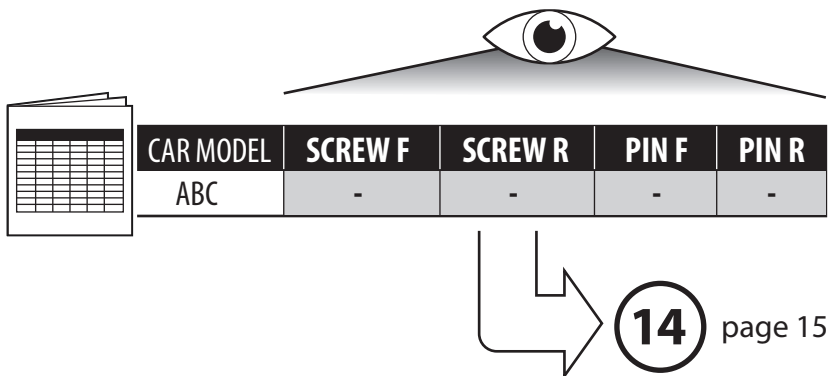
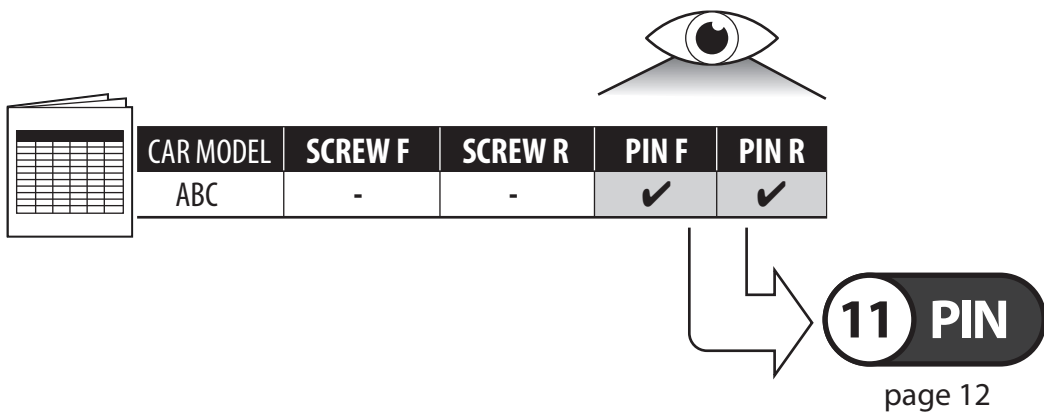
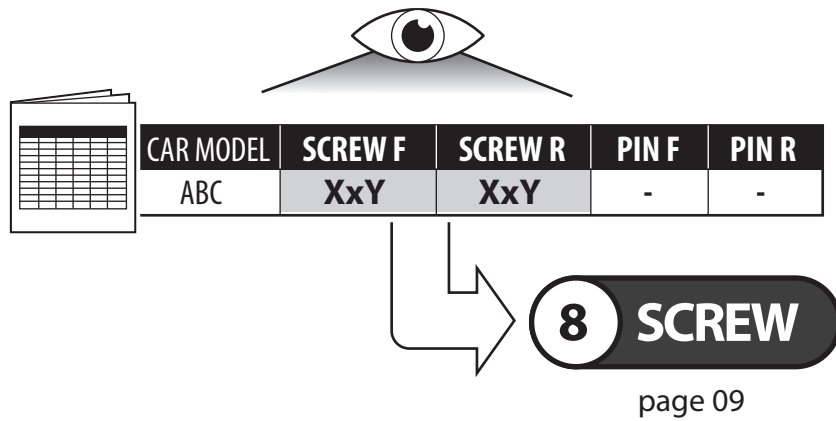
CAR MODEL	GF	GR
ABC	XXX	YYY



x2

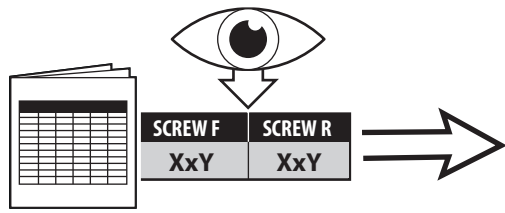


REAR ROOF BAR

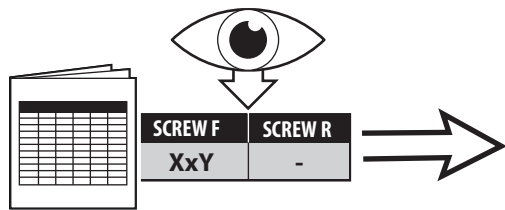


# 8

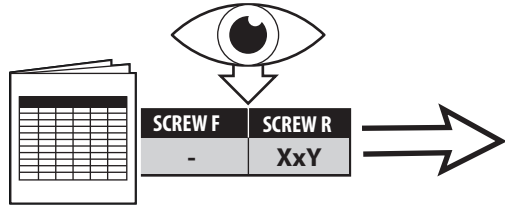
# SCREW



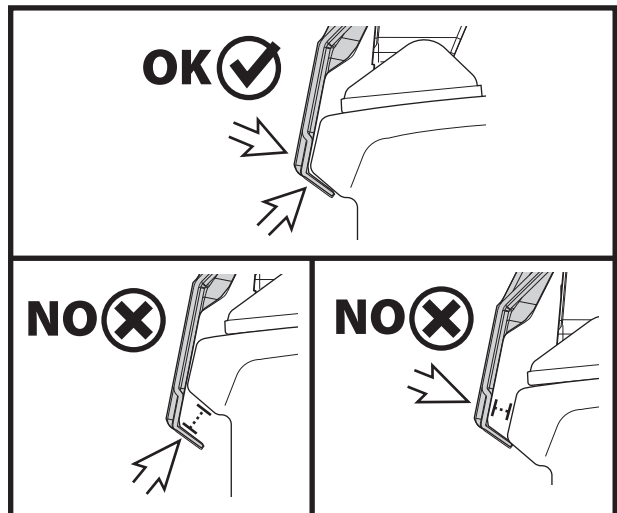
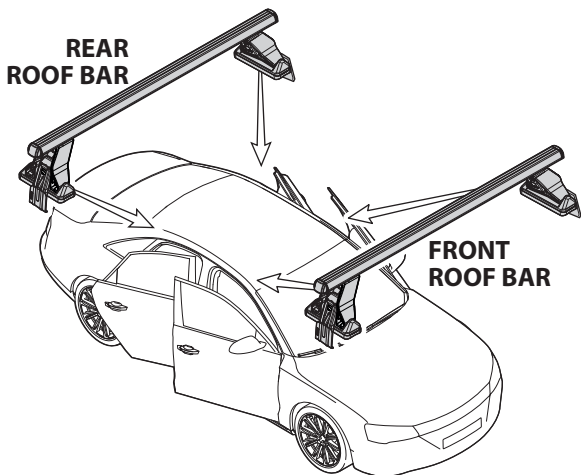
FRONT ROOF BAR	REAR ROOF BAR
SCREW F	SCREW R



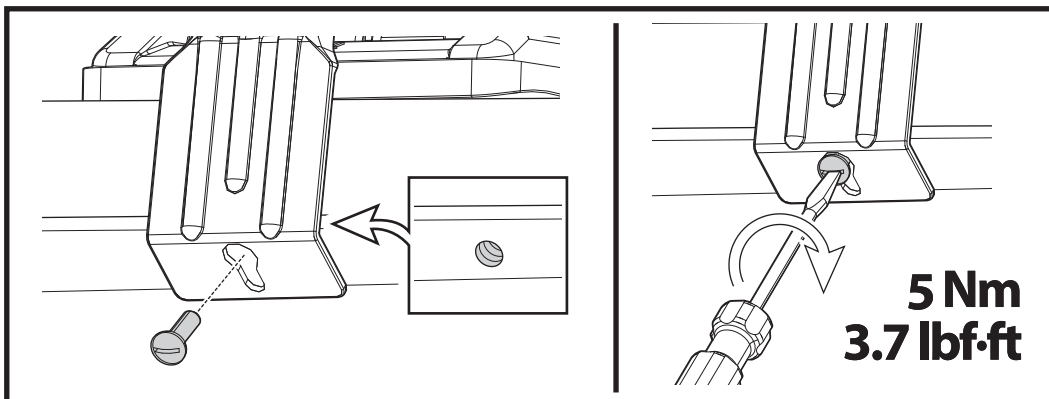
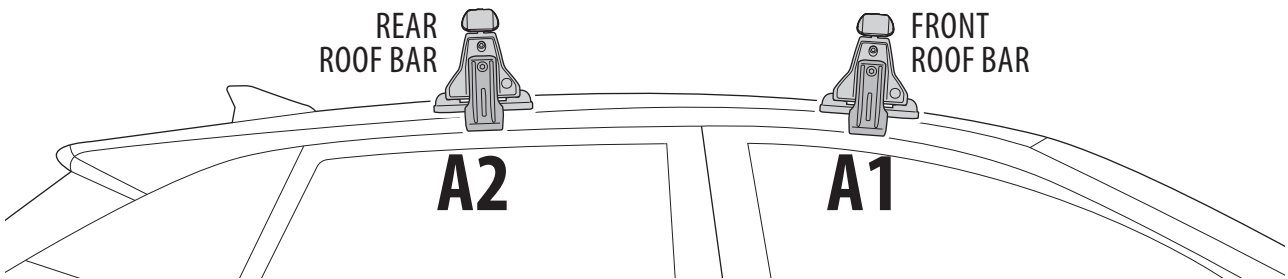
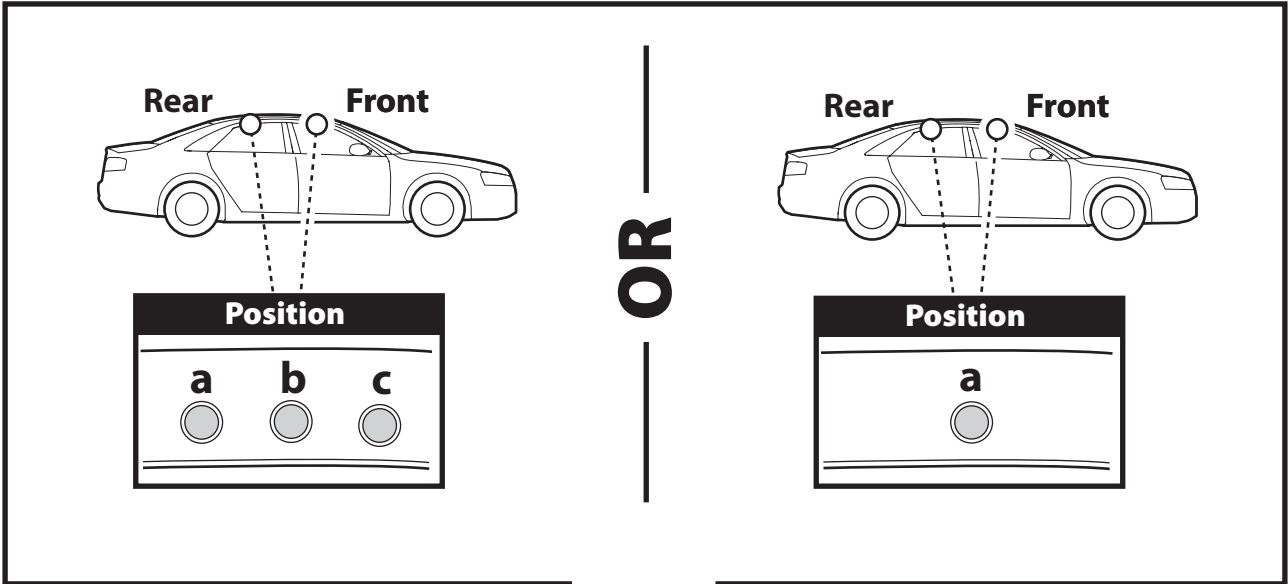
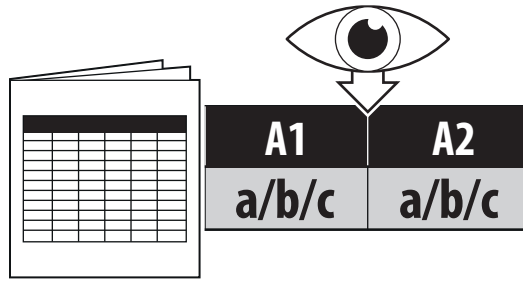
FRONT ROOF BAR	REAR ROOF BAR
SCREW F	SCREW R



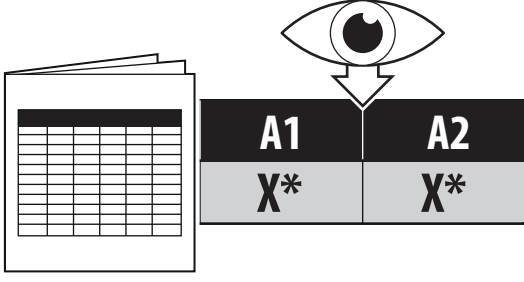
FRONT ROOF BAR	REAR ROOF BAR
SCREW F	SCREW R



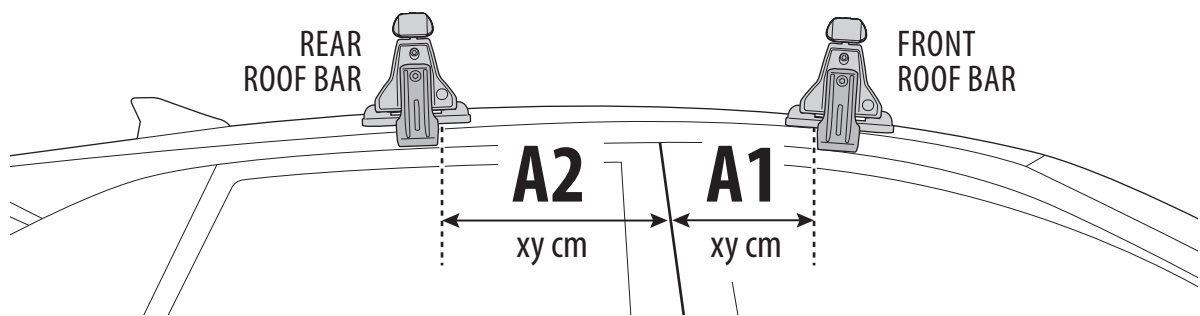
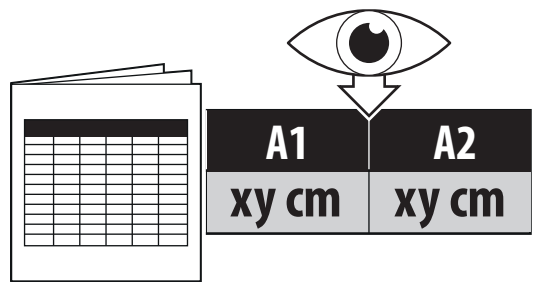
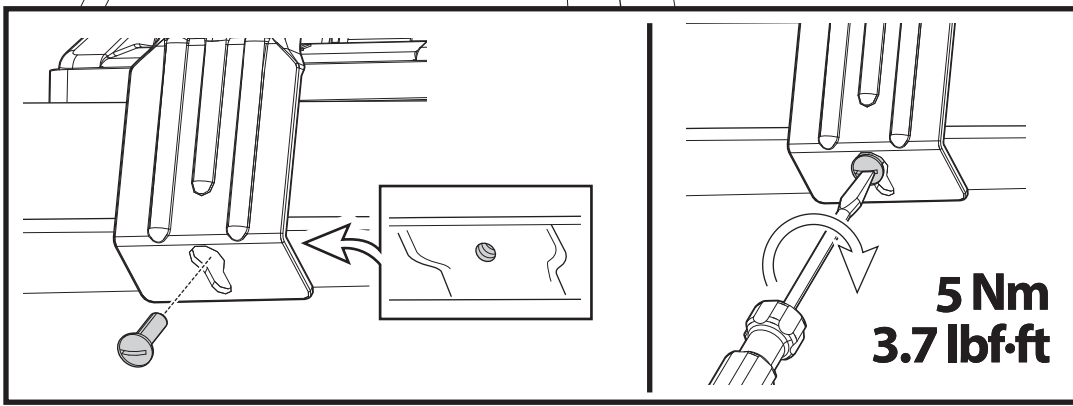
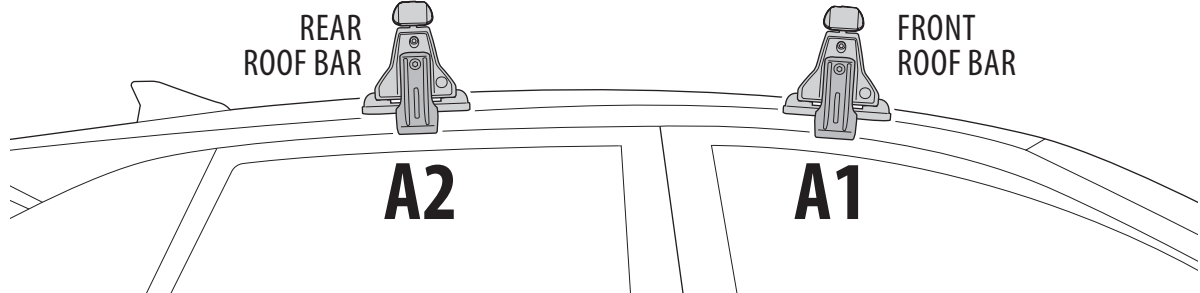
# 9 SCREW



# 10 SCREW

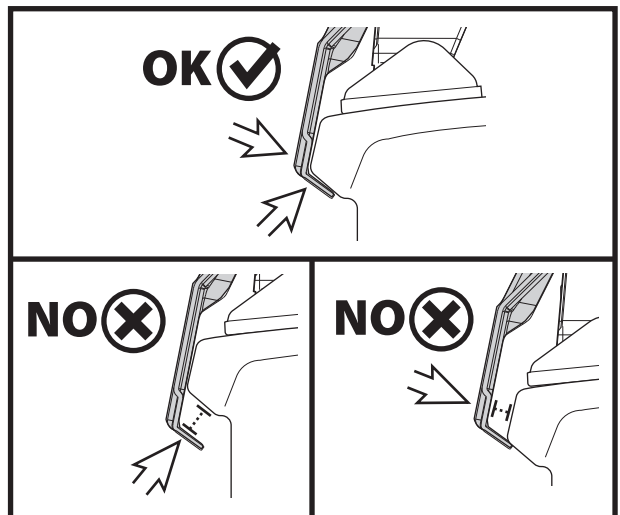
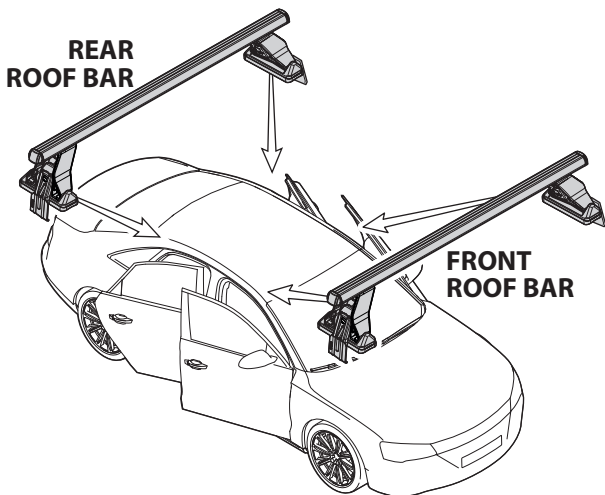
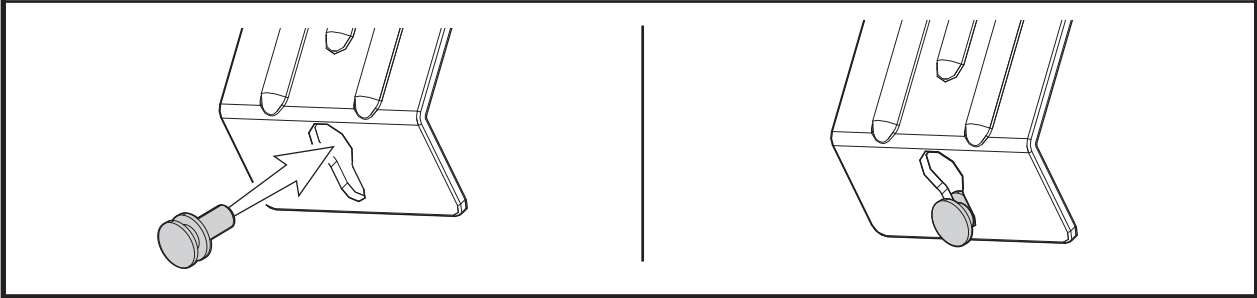
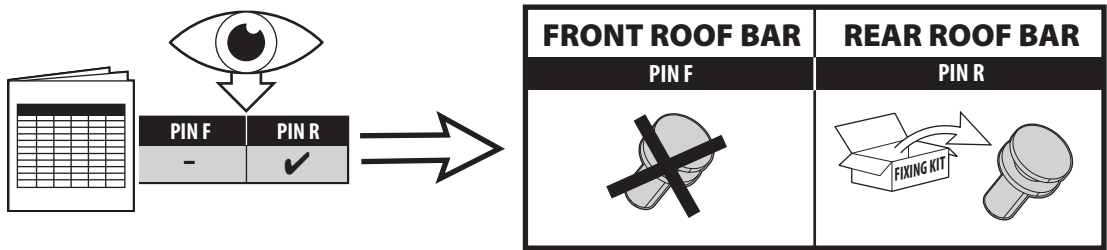
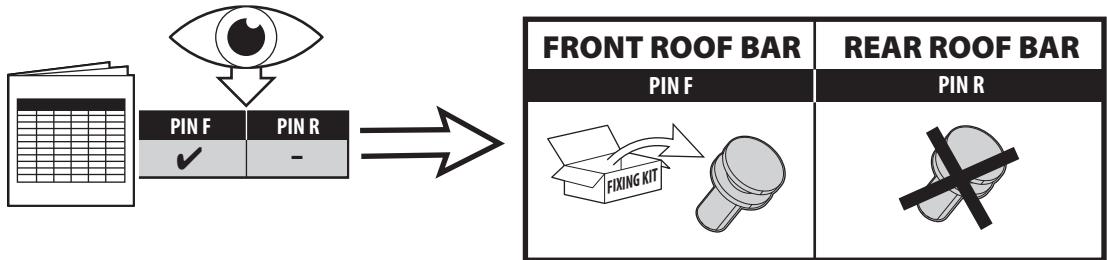
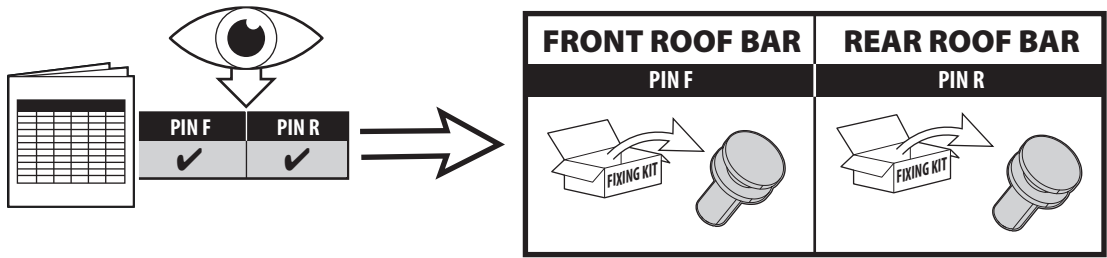


**\*Predisposizione originale**  
**Original arrangement**



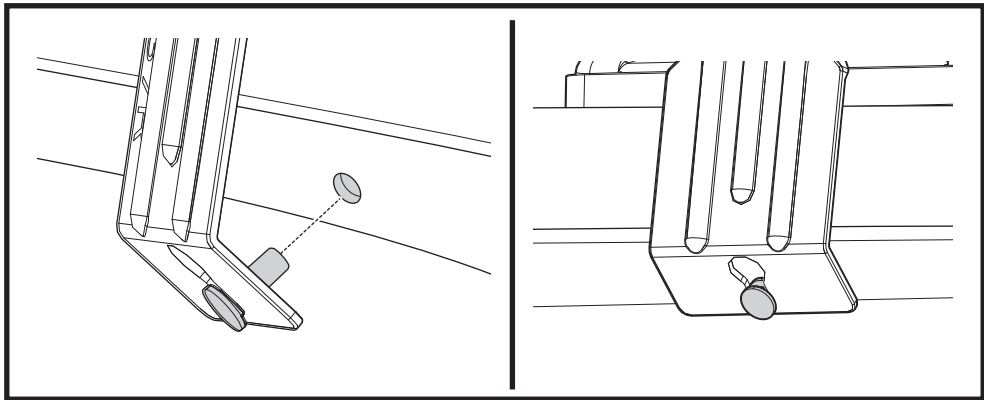
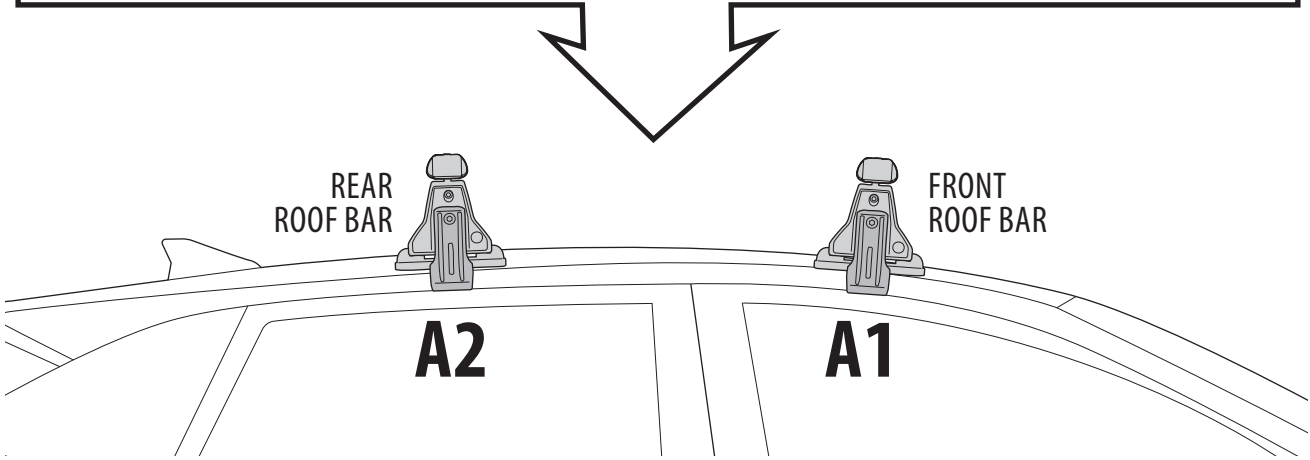
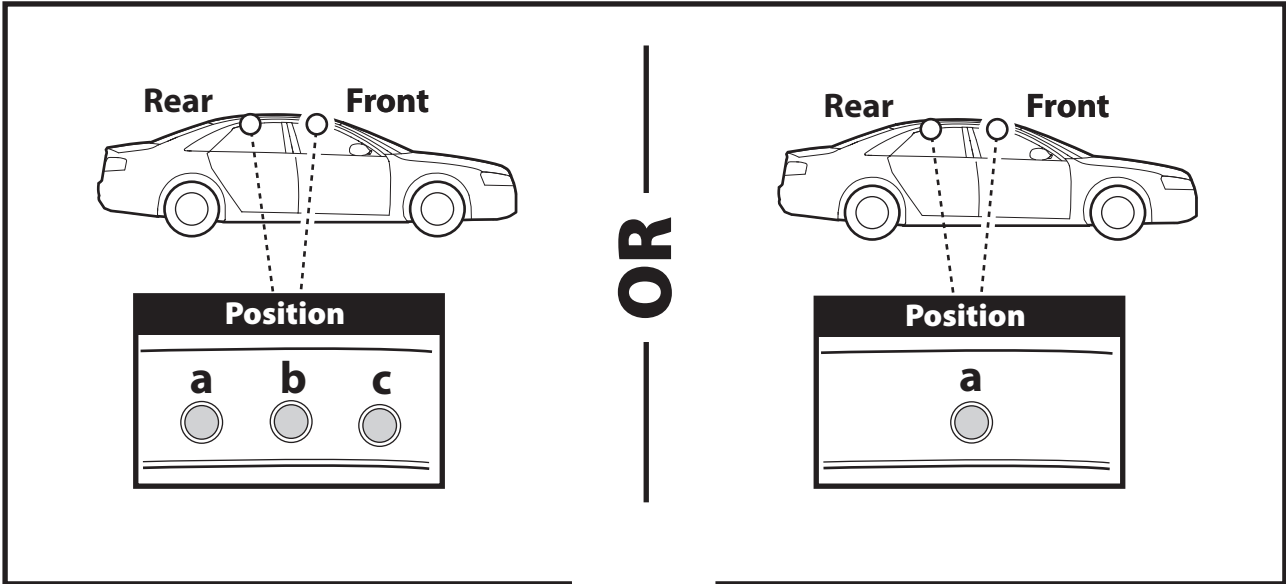
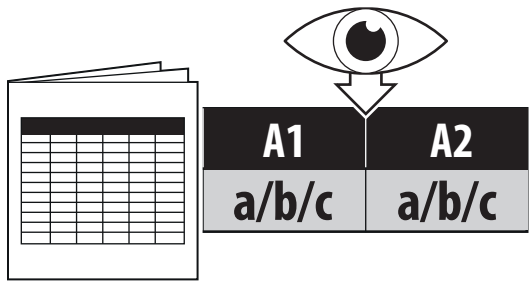
**15** page 16

# 11 PIN

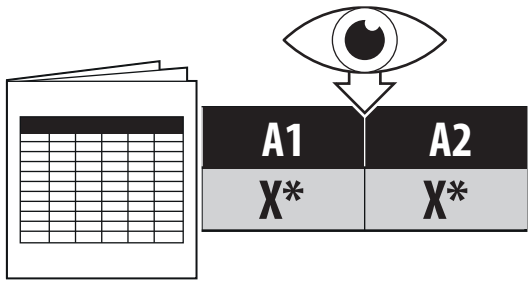




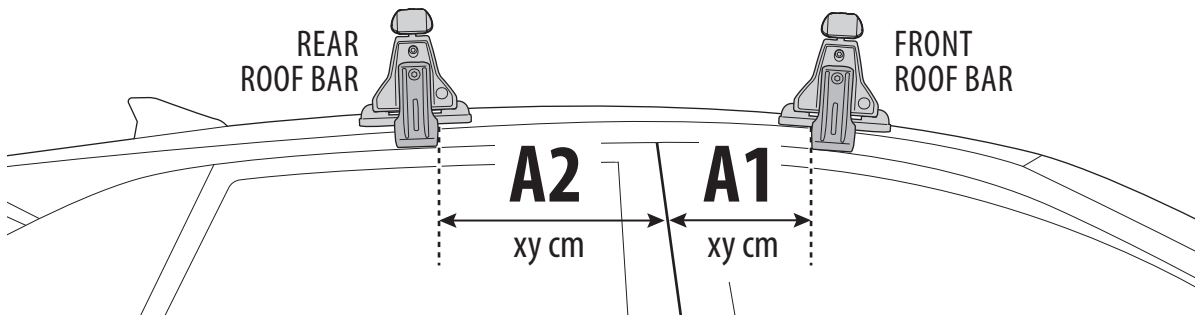
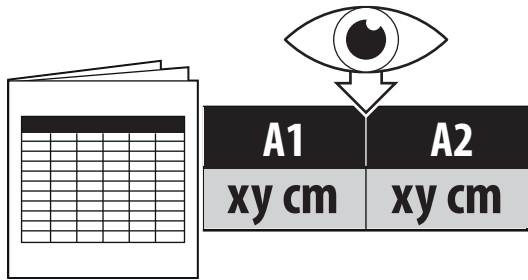
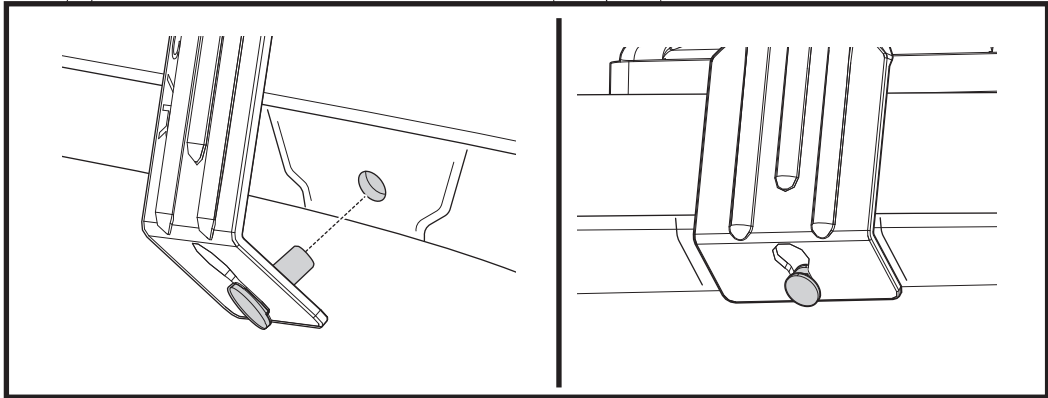
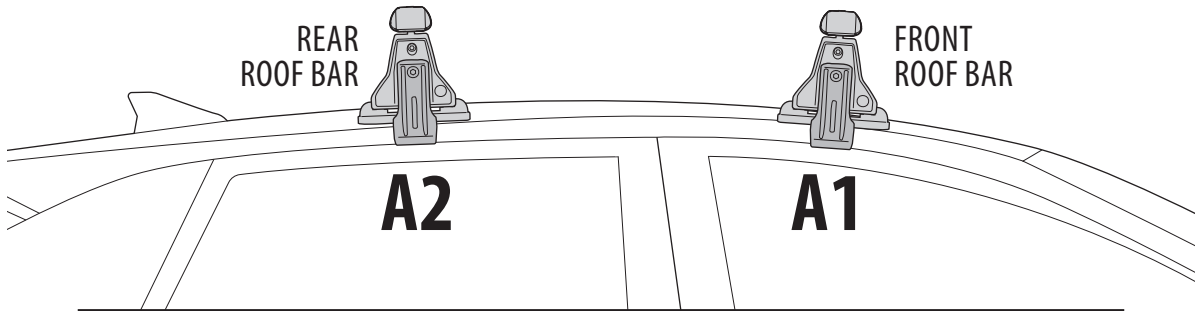
# 12 PIN



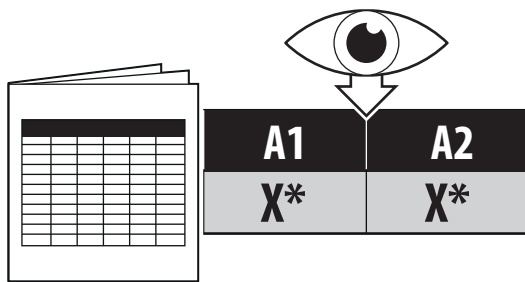
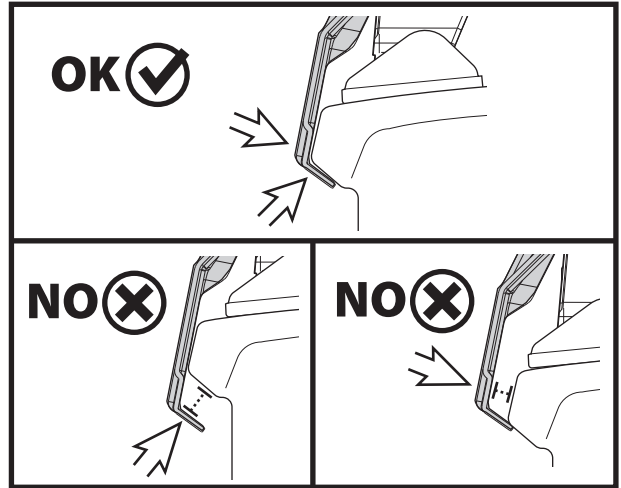
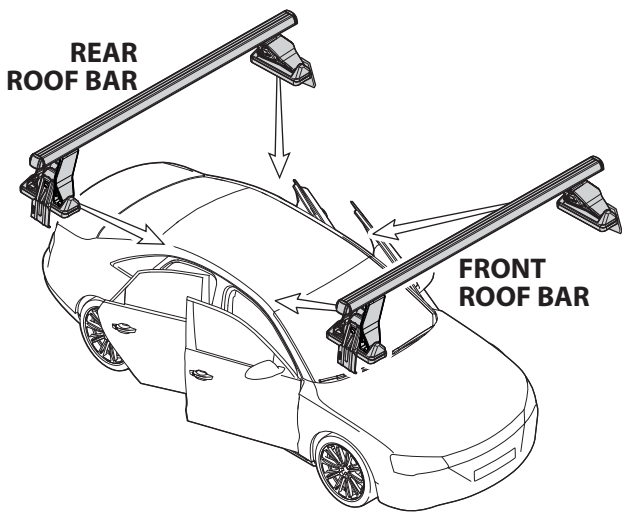
**13 PIN**



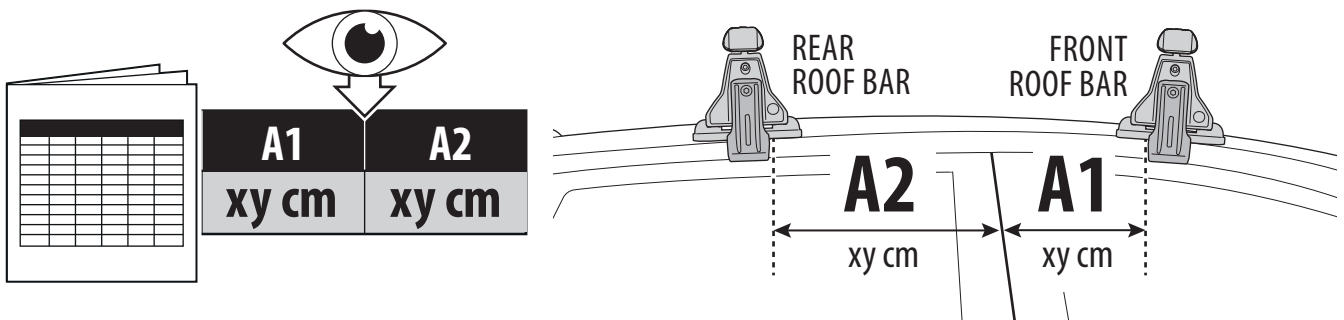
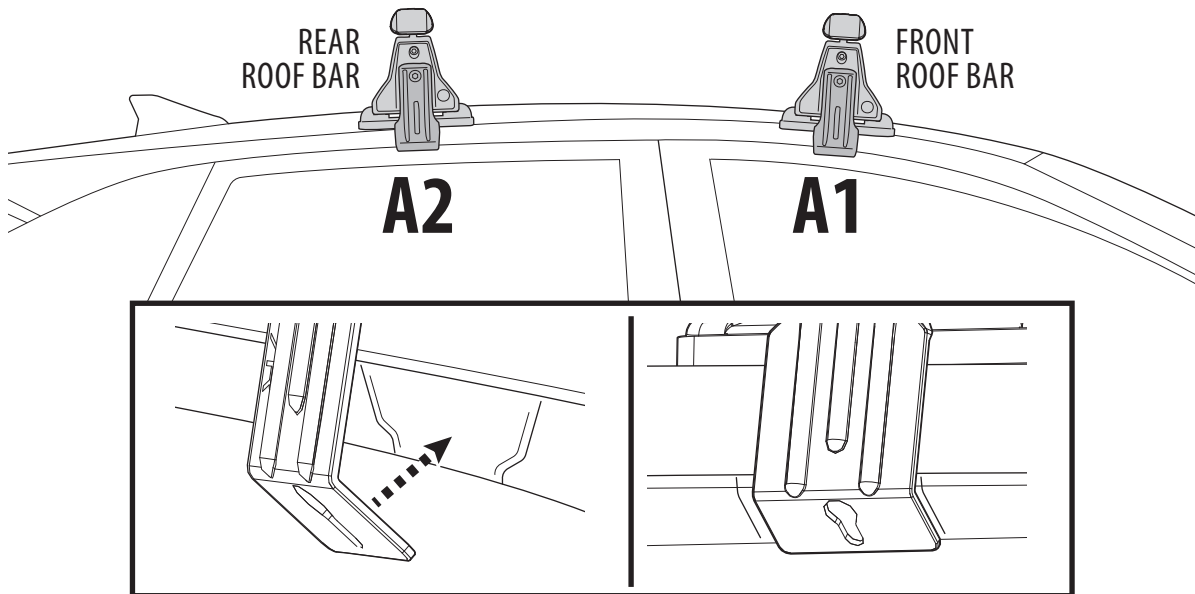
**\*Predisposizione originale  
Original arrangement**



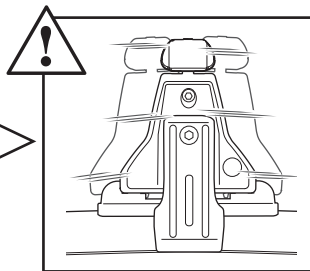
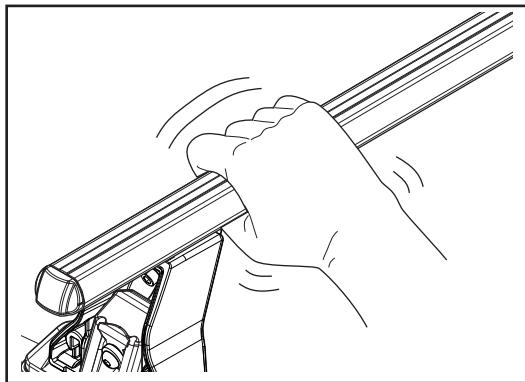
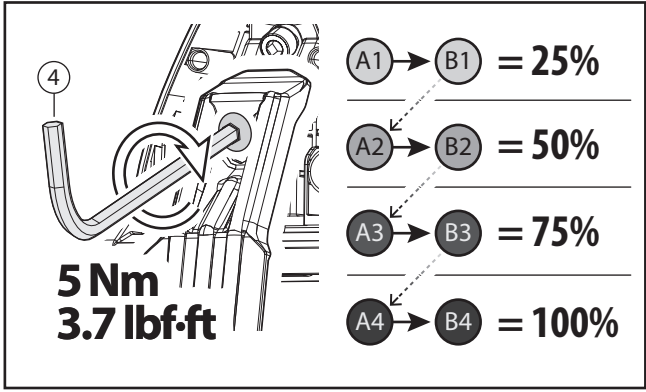
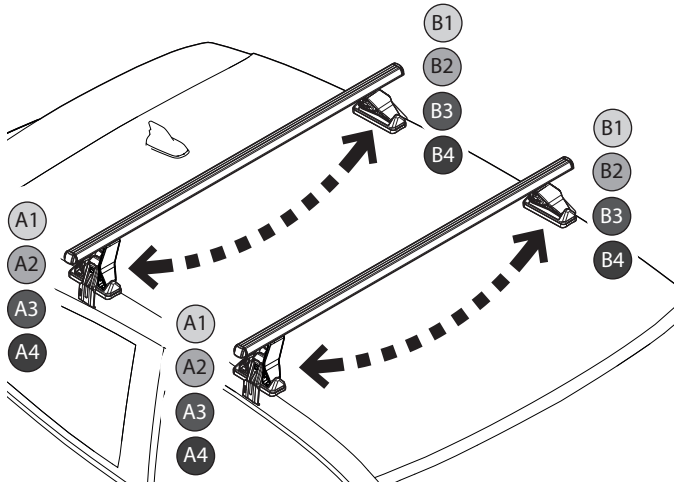
**15** page 16



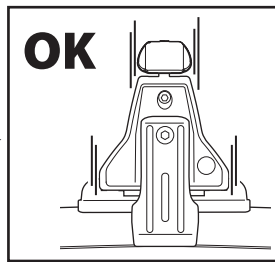
**\*Predisposizione originale**  
**Original arrangement**



15

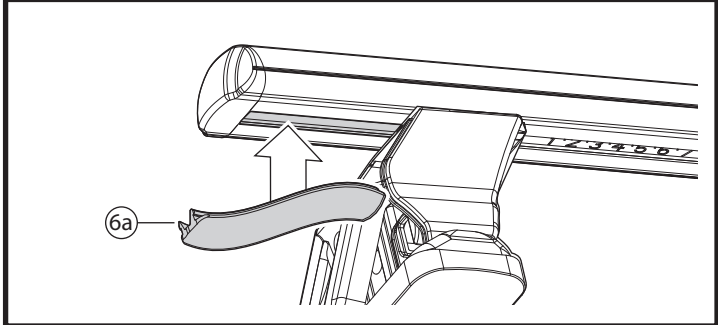
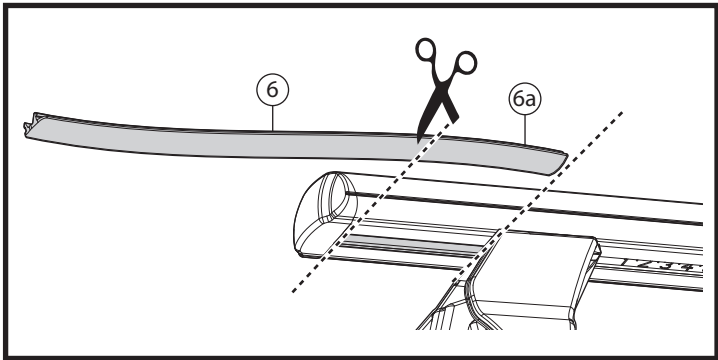
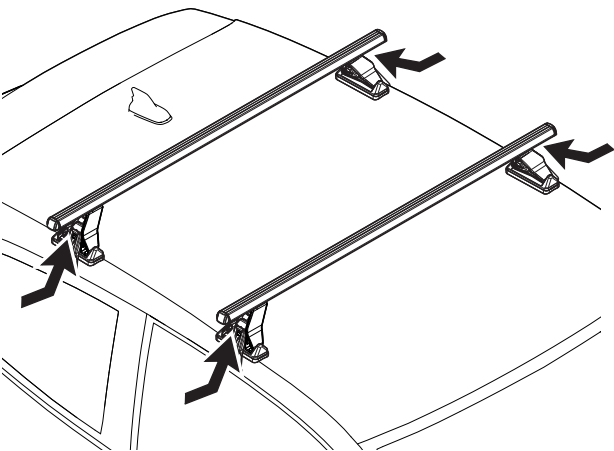


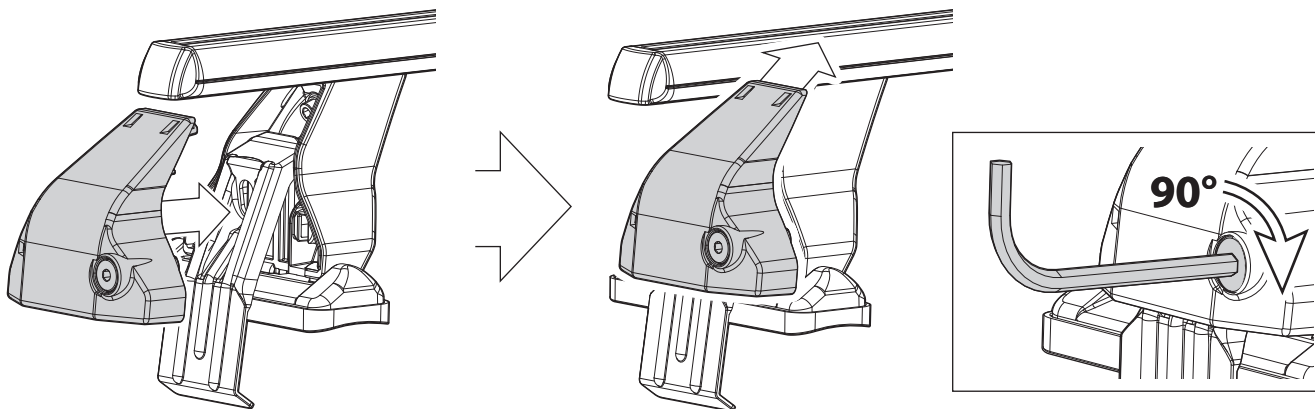
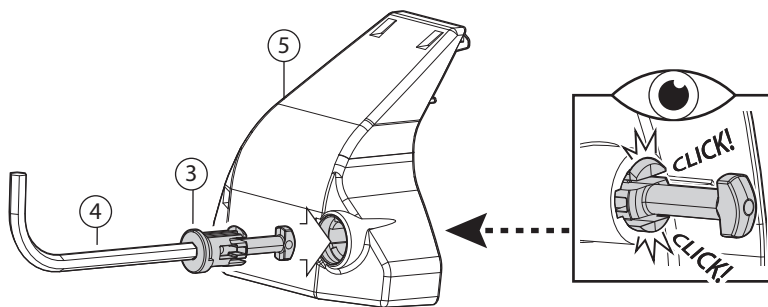
15



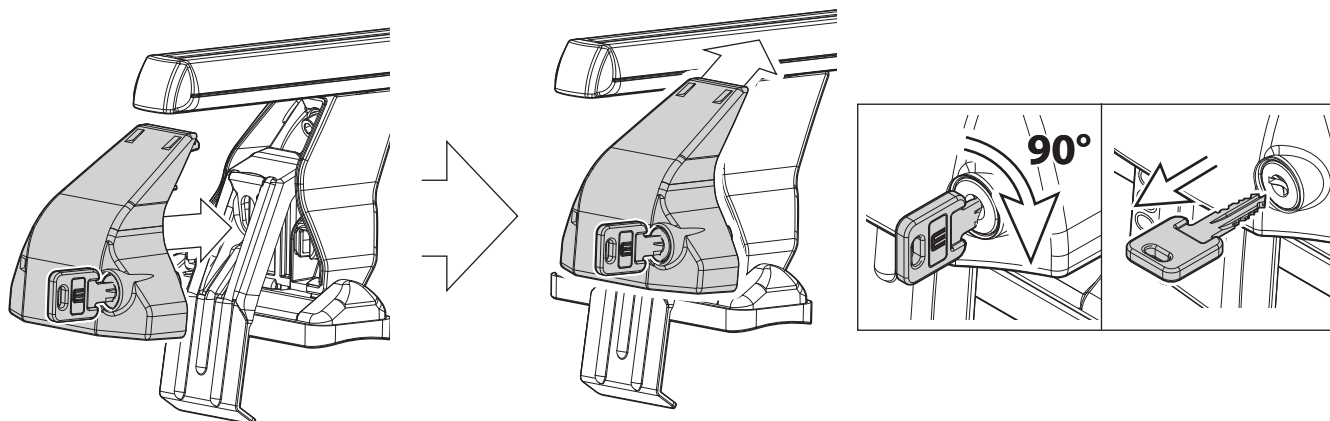
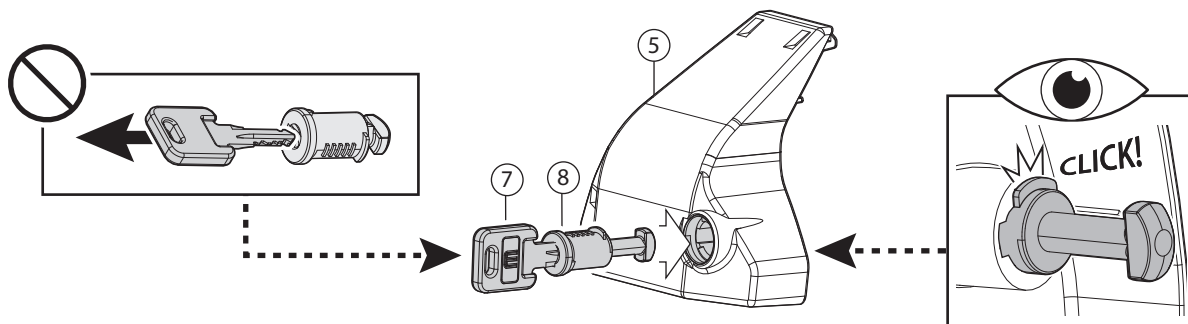
16

16




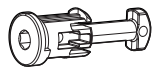
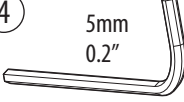
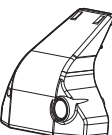
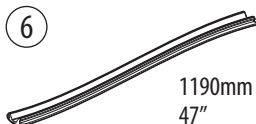

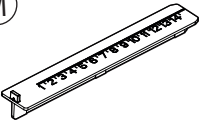


**OPTIONAL kit 00008480000**

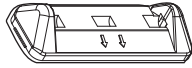
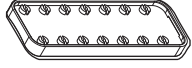
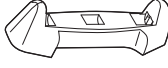
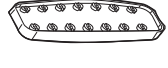




IT) Ricambi (A Richiesta) | EN) Spare Parts (Made to order) | DE) E Teile (auf Anfrage)  
 FR) Pièces de rechange (Sur commande) | ES) Piezas de recambio (Previa solicitud)

## MAIN KIT

 <b>x4</b> 700003110000	 <b>x4</b> 700025300000	 5mm 0.2" <b>x1</b> 700025000000	 <b>x1</b> 700049600000
 1190mm 47" <b>x1</b> 700007900000	 <b>x1</b> 700046500000	 <b>x1</b> 700046400000	

## FIXING KIT

 <b>x1</b> +  <b>x1</b> 700029100000	 <b>x1</b> +  <b>x1</b> 700029200000	 Ø8x18 <b>x4</b> +  M8x60 <b>x4</b> 700008600000
---	---	--

**CAR MANUAL**  
**MAX LOAD : 50kg / 110lb**

**A + B ≤ MAX LOAD**

**DYNAMIC**

**MAX PAYLOAD**

**STATIC**

**2,5x MAX PAYLOAD**

**ROOFTOP TENT NO**

**130 km/h**

**80 mph**

**X**

**SPEED**

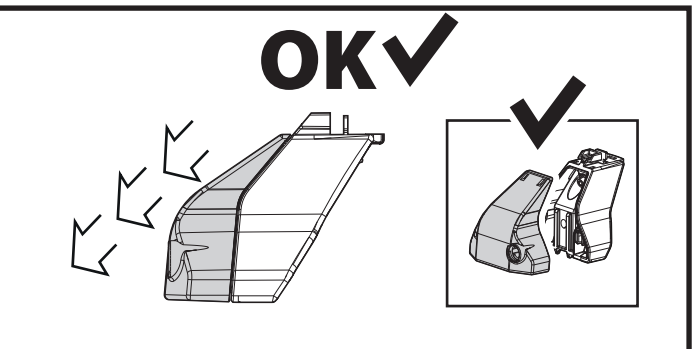
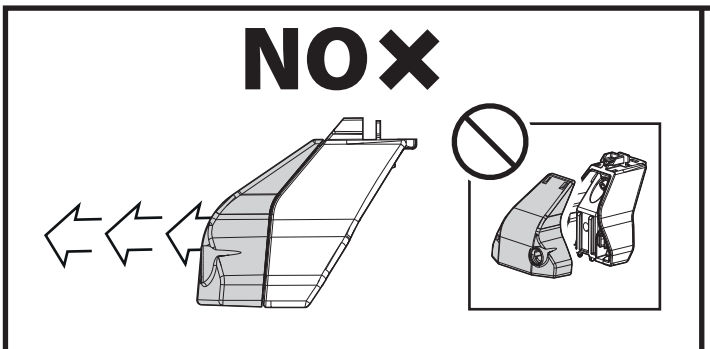
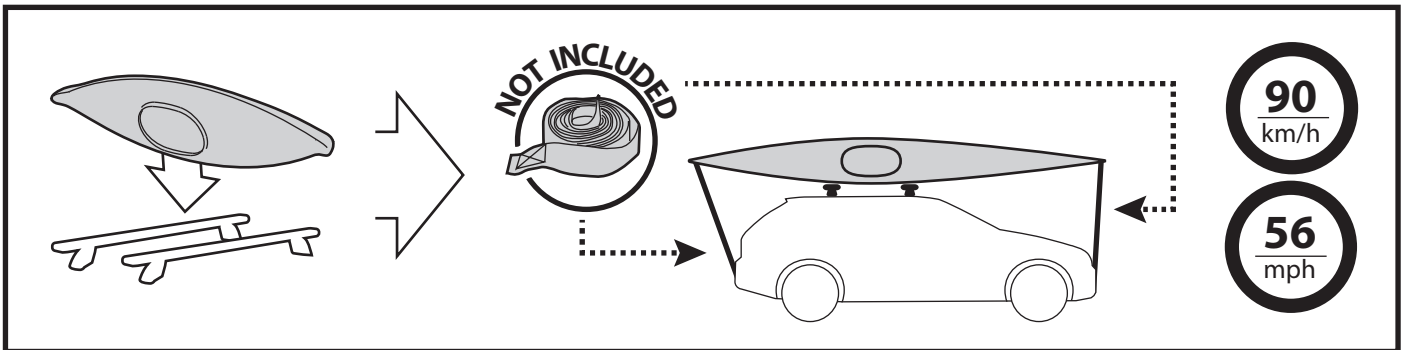
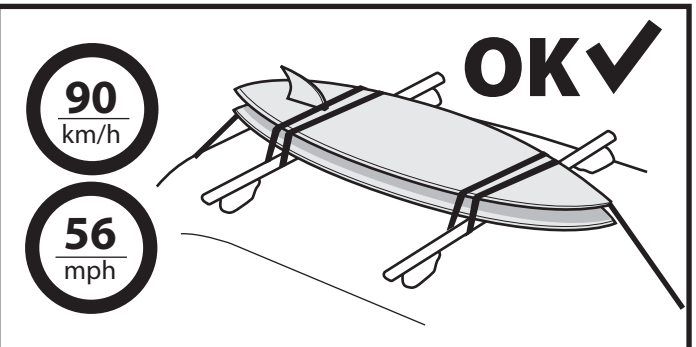
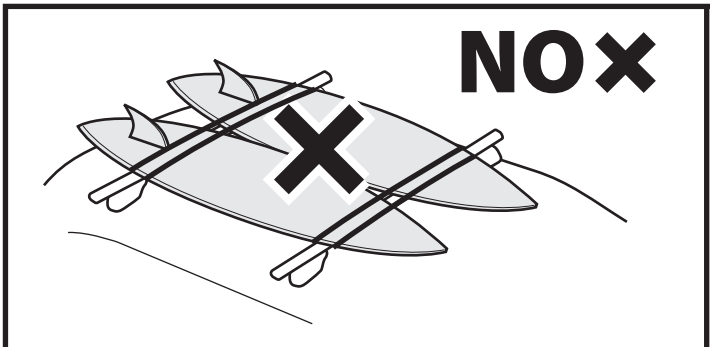
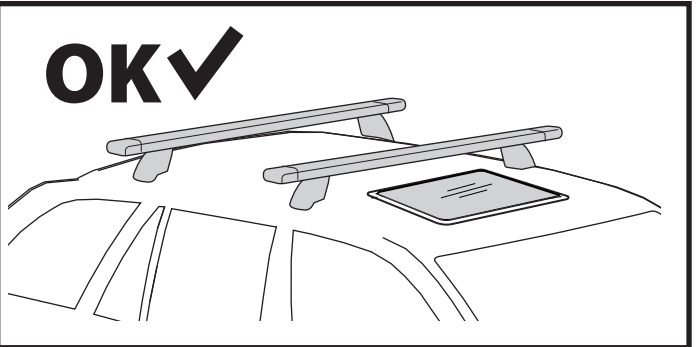
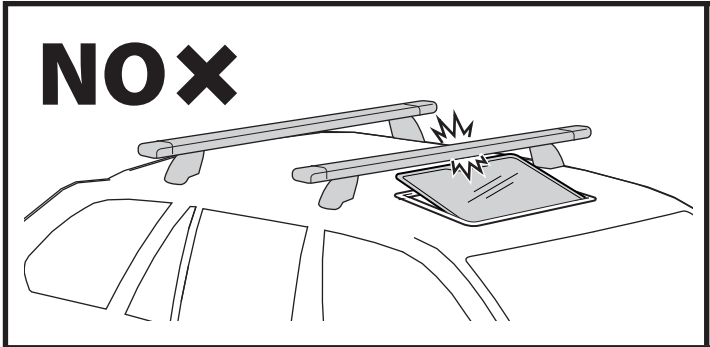
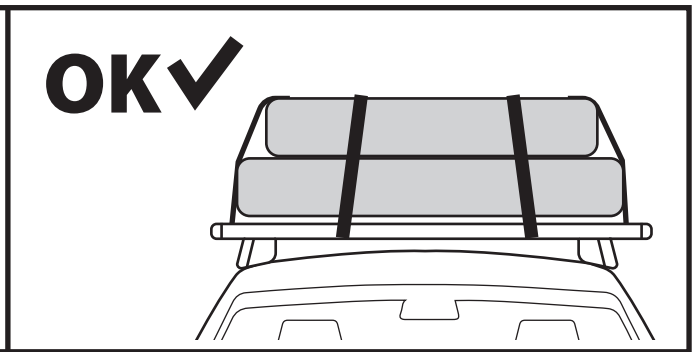
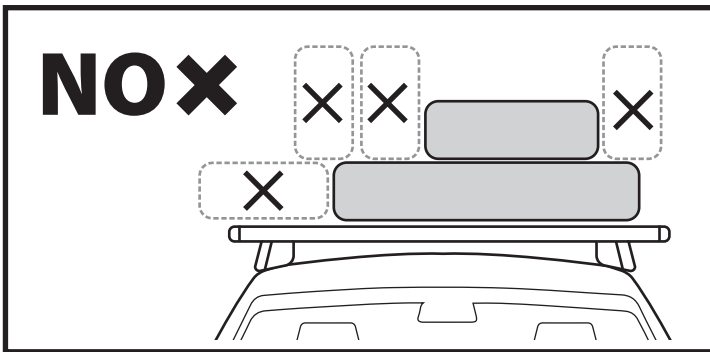
**SPEED**

**!**

**90 km/h**

**56 mph**

**X**



F.lli Menabò S.r.l.  
 Via 8 Marzo, 3 -Z.I. Corte Tegge  
 42025 Cavriago (RE) ITALY  
 customercare@flli-menabo.it  
 www.menabocaraccessories.com



500044200001  
 30/06/2025